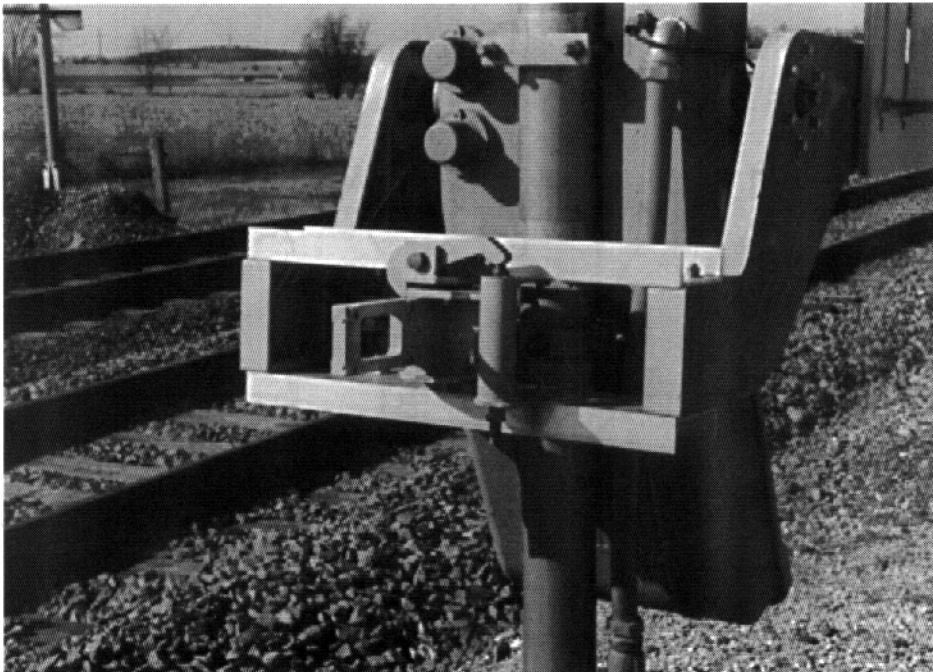


“Gate Gard” Adapter P/N D-1049-1

The “Gate Gard” adapter permits the gate arm to pivot with the impact of a motor vehicle, and safely return to its normal horizontal position, even with arms as long as forty feet. The unique latch design of the “Gate Gard” reduces the violent rebound that some ordinary spring loaded adapters can generate.

An easily replaceable shear pin is also included in the “Gate Gard” design to provide more resistance to vertical gate arm rotation in high wind areas.

The “Gate Gard” requires no regular maintenance and can be used with fiberglass or aluminum/fiberglass gate arms. Our design permits the counterweight torque to be set properly for gate arms up to forty feet long. Proper torque settings are critical to the operation of gate mechanisms. Improper torque adjustment can cause premature wear of mechanism gears and other components.

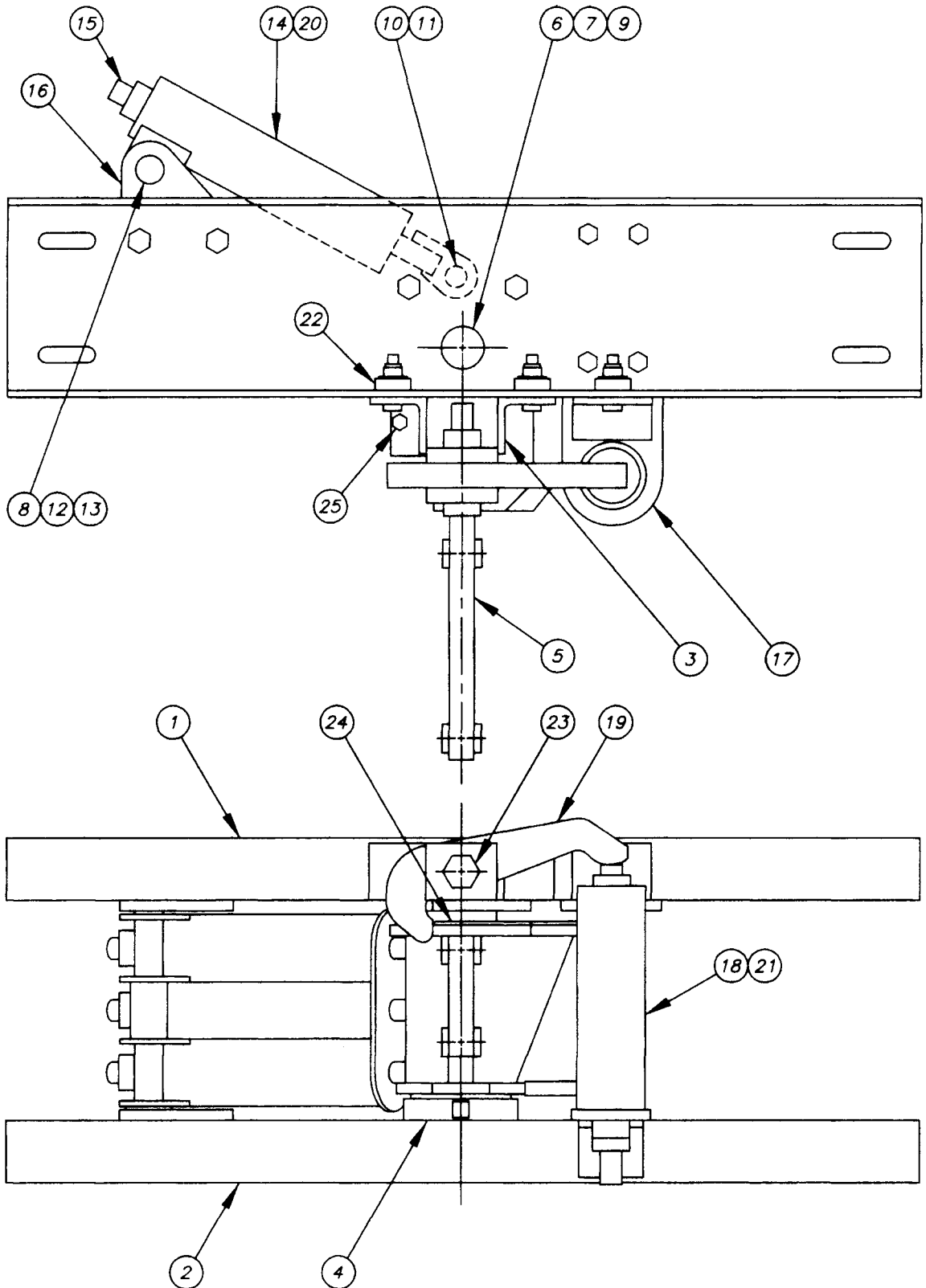


WESTERN-CULLEN-HAYES, INC.

2700 W. 36TH PLACE
(773) 254-9600

CHICAGO, IL. 60632
FAX (773) 254-1110

"Gate Gard" Adapter Parts



WESTERN-CULLEN-HAYES, INC.
2700 W. 36TH PLACE CHICAGO, IL. 60632
(773) 254-9600 FAX (773) 254-1110

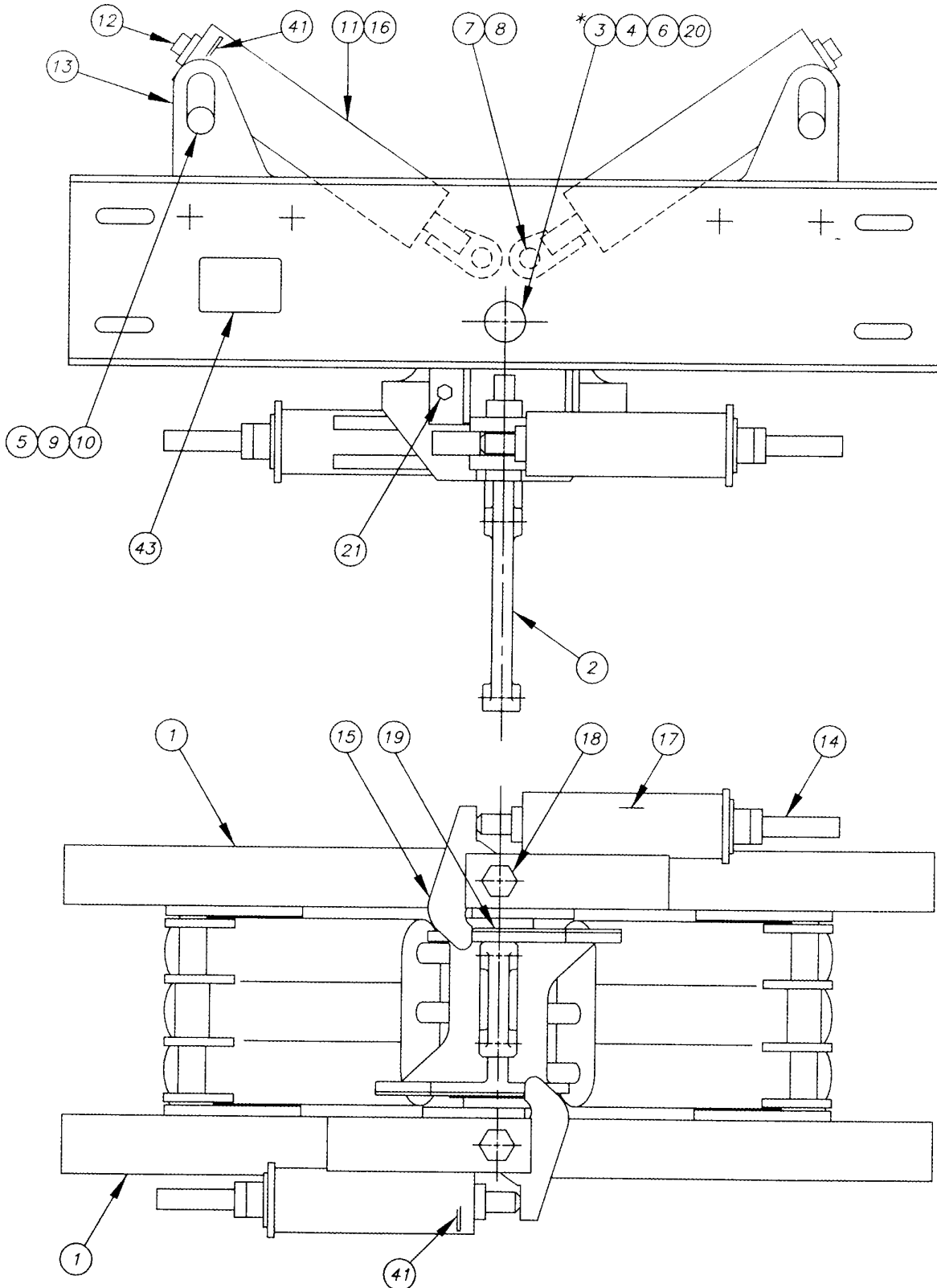
“Gate Gard” Adapter Parts

Reference	Description	Part No.
1	Top Cross Channel	C-1034
2	Bottom Cross Channel	C-1035
3	Upper Hinge Bracket	C-1036
4	Lower Hinge Bracket	A-1288
5	Gate Arm Adapter	C-1037
6	Hinge Pin Bushing	A-1289
7	Thrust Washer	81-1029
8	Thurst Washer	A-1290
9	Hinge Pin	A-1298
10	Spring Rod Connecting Pin	A-1299-1
11	Spring Rod Spacer	A-1300-1
12	Return Spring Housing Pin	A-1301-1
13	Spring Pin Spacer	A-1302-1
14	Return Spring Housing	B-1069-1
15	Spring Connecting Rod	A-1306-1
16	Spring Anchor Bracket	A-1309
17	Latch Spring Housing	C-1047
18	Latch Spring Rod	A-1313
19	Latch Hook	B-1071
20	Return Spring	A-1148-6
21	Latch Spring	81-1045
22	Bevel Washer - 3/8	A-1314
23	Latch Hook Pivot Pin	A-1315
24	Wear Plate	B-1074
25	Brass Shear Pin	38-0027-13

WESTERN-CULLEN-HAYES, INC.

2700 W. 36TH PLACE CHICAGO, IL. 60632
 (773) 254-9600 FAX (773) 254-1110

Bi-Directional Gate-Gard Adapter



WESTERN-CULLEN-HAYES, INC.

2700 W. 36TH PLACE
(773) 254-9600

CHICAGO, IL. 60632
FAX (773) 254-1110

Bi-Directional Gate-Gard Adapter Parts

Reference	Quantity	Description	Part No.
1	2	Cross Channel	C-1034-2
2	1	Gate Arm Adapter	C-1037-1
3	2	Hinge Pin Bushing*	A-1289
4	1	Thrust Washer	81-1029
5	2	Thrust Washer	A-1290
6	1	Hinge Pin	A-1298-1
7	2	Spring Rod Connecting Pin	A-1299-1
8	4	Spring Rod Spacer	A-1300-1
9	2	Return Spring Housing Pin	A-1301-1
10	2	Spring Pin Spacer	A-1302-1
11	2	Return Spring Housing	B-1069-2
12	6	Spring Connecting Rod	A-1306-2
13	4	Spring Anchor Bracket	A-1309-1
14	2	Latch Spring Rod	A-1313-1
15	2	Latch Hook	B-1071-1
16	6	Return Spring	A-1148-6
17	2	Latch Spring	A-1148-3
18	2	Latch Hook Pivot Pin	A-1315
19	2	Wear Plate	B-1074
20	1	Lower Hinge Bracket	A-1288-1
21	2	Brass Shear Pin	38-0027-13-1
41	36	1 15/16 OD Washer	A-1435
43	1	Nameplate	A-1430
		*Welded Adapter Only	

WESTERN-CULLEN-HAYES, INC.

2700 W. 36TH PLACE CHICAGO, IL. 60632
 (773) 254-9600 FAX (773) 254-1110